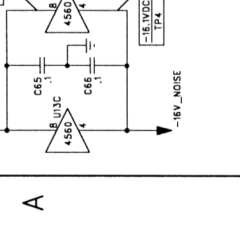
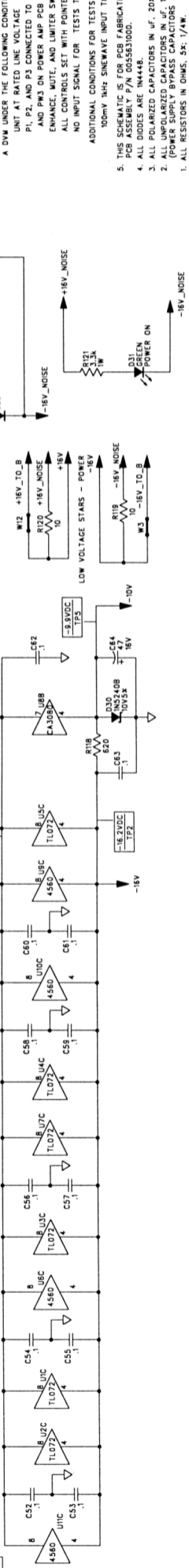
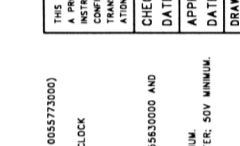
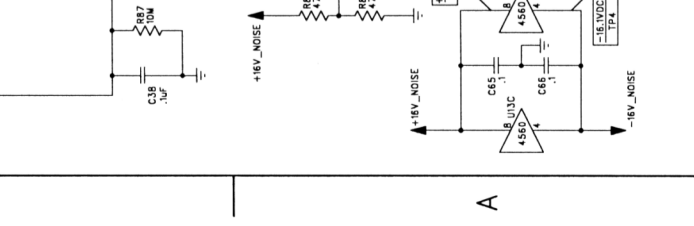
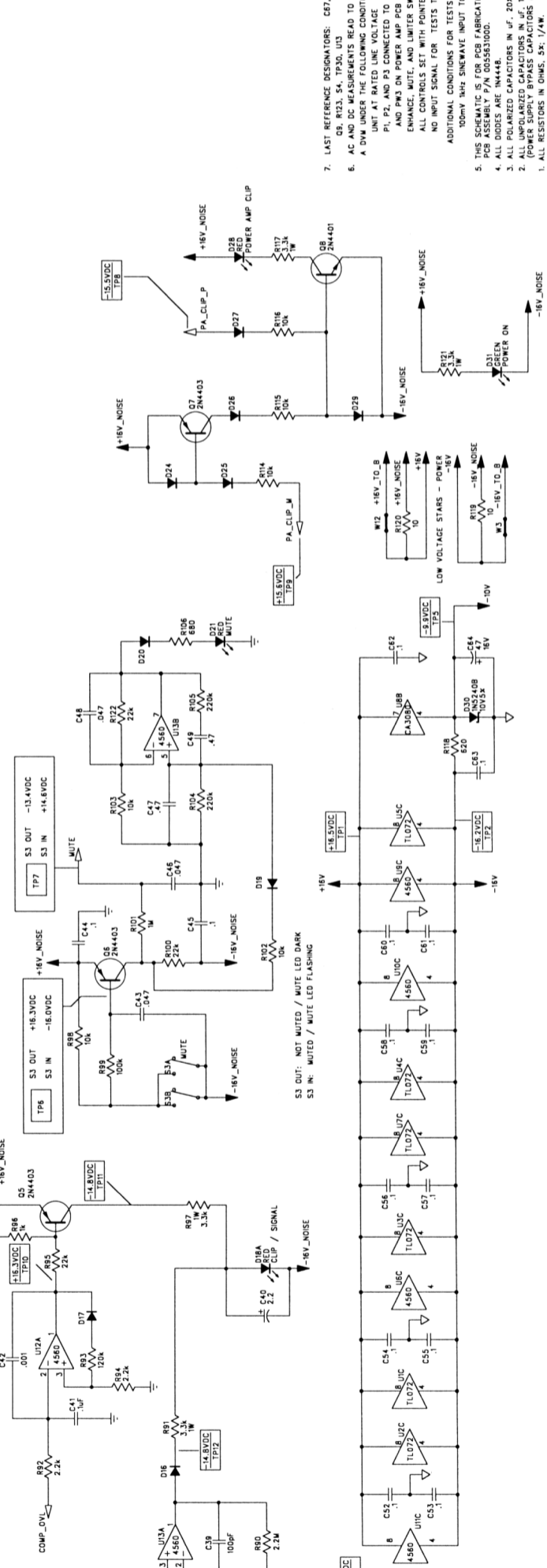
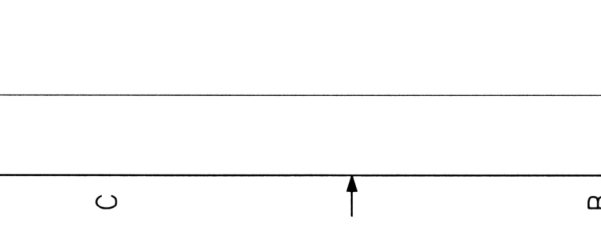
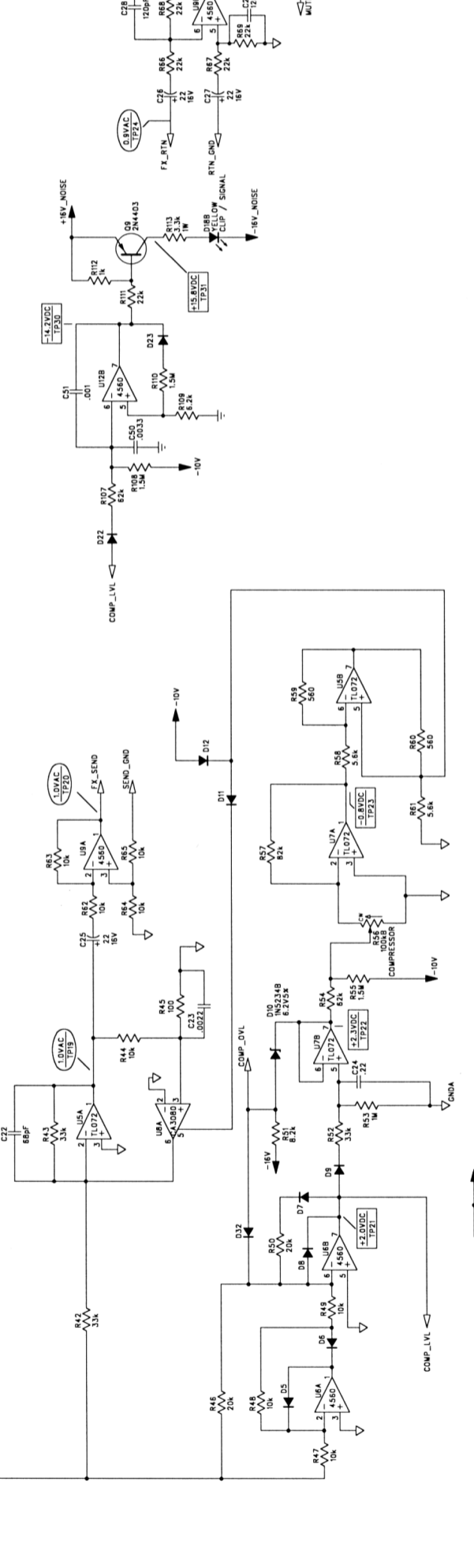
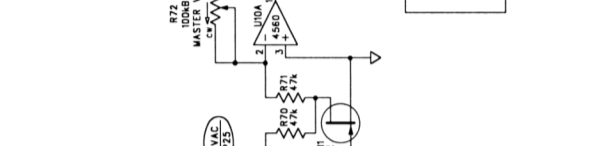
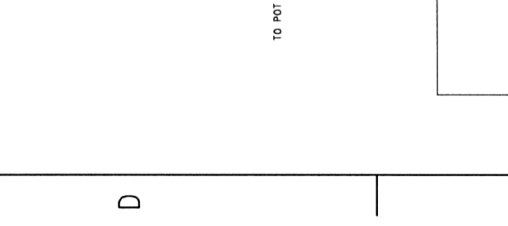
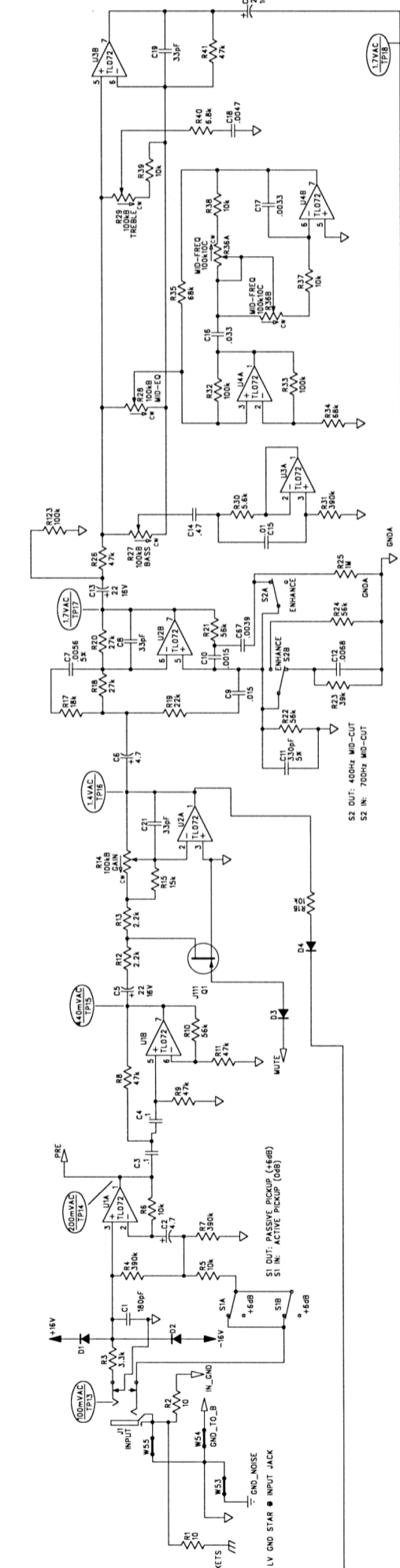
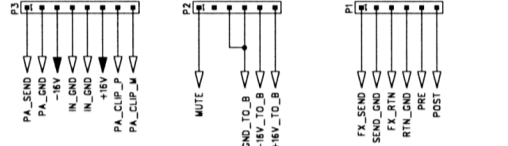


REV.	DESCRIPTION	DATE	APPROVED
A	PR 420	27-JUL-99	S M M
B	EC 2346	24-SEP-99	S M M



7. LAST REFERENCE DESIGNATORS: C67, D32, J1, P3, Q5, R123, S4, TP30, U13
8. AC AND DC MEASUREMENTS READ TO GROUND WITH UNIT AT RATED LINE VOLTAGE
9. P1, P2, AND P3 CONNECTED TO PWR, PWZ, AND PWS ON POWER AMP PCB ASSY (P/N 005373000)
10. COMPRESSOR AND MUTE LIMITERS ARE 12.5 GLOCK NO INPUT SIGNAL FOR TESTS TPI-12
11. ADDITIONAL CONDITIONS FOR TESTS TPI-31: 100mV rms SINEWAVE INPUT TO J1
12. THIS SCHEMATIC IS FOR PCB FABRICATION P/N 005363000 AND ALL DIMENSIONS ARE IN MM
13. ALL POLARIZED CAPACITORS IN uF, 20K, 50V MINIMUM (POWER SUPPLY BYPASS CAPACITORS ARE 20K)
14. ALL RESISTORS IN OHMS, 5% 1/W

NOTES: (UNLESS OTHERWISE NOTED)

THE DOCUMENT CONTAINS INFORMATION OF A PROPRIETARY NATURE TO FEMER MUSICAL INSTRUMENTS AND SHOULD NOT BE REPRODUCED, TRANSMITTED TO OTHERS WITHOUT AUTHORIZATION FROM FEMER MUSICAL INSTRUMENTS.

CHECKED BY: *[Signature]*
DATE: 29-SEP-99

APPROVED BY: *[Signature]*
DATE: 01-SEP-99

TITLE: SERVICE DIAGRAM, COMBINED (schematic)
BASSMAN 100
PREAMP

SIZE: DRAWING NUMBER
D 0055632000

REV. B

RELEASE DATE: 30-JUL-99 SHEET: 1 OF 2

MUSICAL INSTRUMENTS
2621 Research Drive
Corona, CA 91720 USA

REV. B

SIZE: DRAWING NUMBER
D 0055632000

REV. B

RELEASE DATE: 30-JUL-99 SHEET: 1 OF 2

MUSICAL INSTRUMENTS
2621 Research Drive
Corona, CA 91720 USA

REV. B

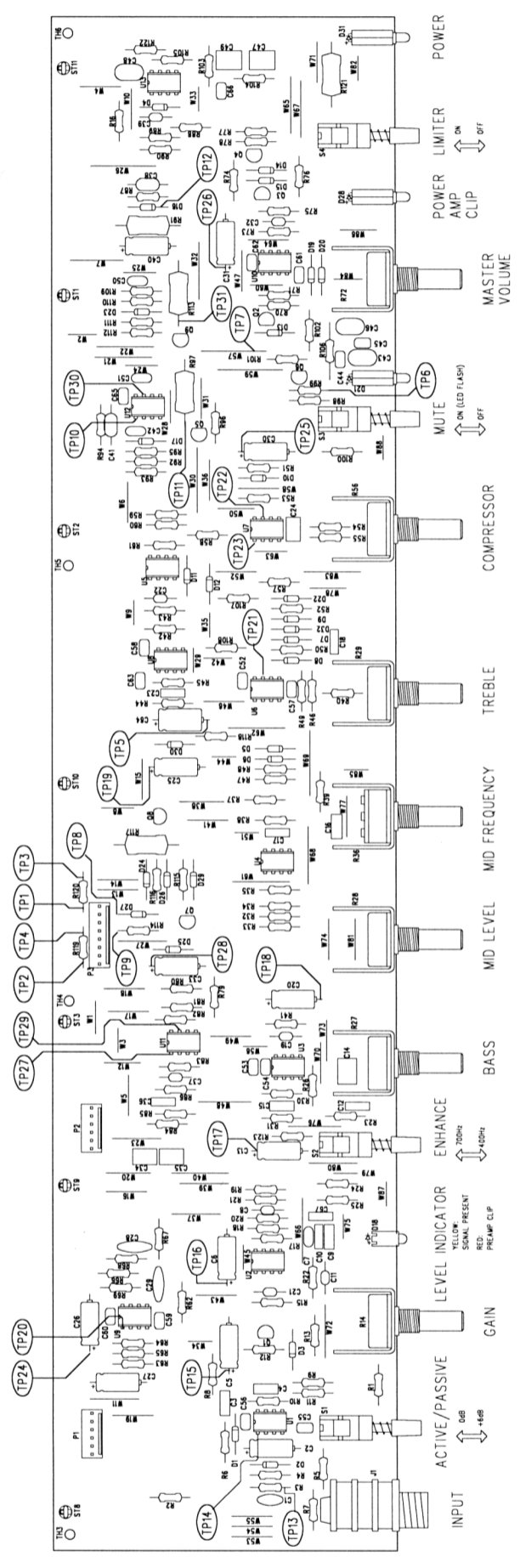
SIZE: DRAWING NUMBER
D 0055632000

REV. B

RELEASE DATE: 30-JUL-99 SHEET: 1 OF 2

8 7 6 5 4 3 2 1

REVISIONS			
REV.	DESCRIPTION	DATE	APPROVED
A	PR420	30-JUL-89	SM/AB
B	EC 2346	24-SEP-89	SMM



FILM/NO. SERVICE DIAGRAM DATE: 24-SEP-89
 DATABASE: Z420P1PCB

MUSICAL INSTRUMENTS
 2621 Research Drive
 Corona, CA 91720 USA

TITLE: SERVICE DIAGRAM, COMBINED (PCB assy)
BASSMAN 100
PREAMP

CHECKED BY: *[Signature]*
 DATE: 24-SEP-89

APPROVED BY: *[Signature]*
 FROM POWER AMP PCB ASSY (PWL, PWP, PWS RESPECTIVELY)
 DATE: 01-DEC-89

DRAWN: A. BARNAL
 ENGR: S. MARSHALL

DATEBASE FILE: Z420P1PCB

SIZE: D
 DRAWING NUMBER: 0055632000
 REV. B

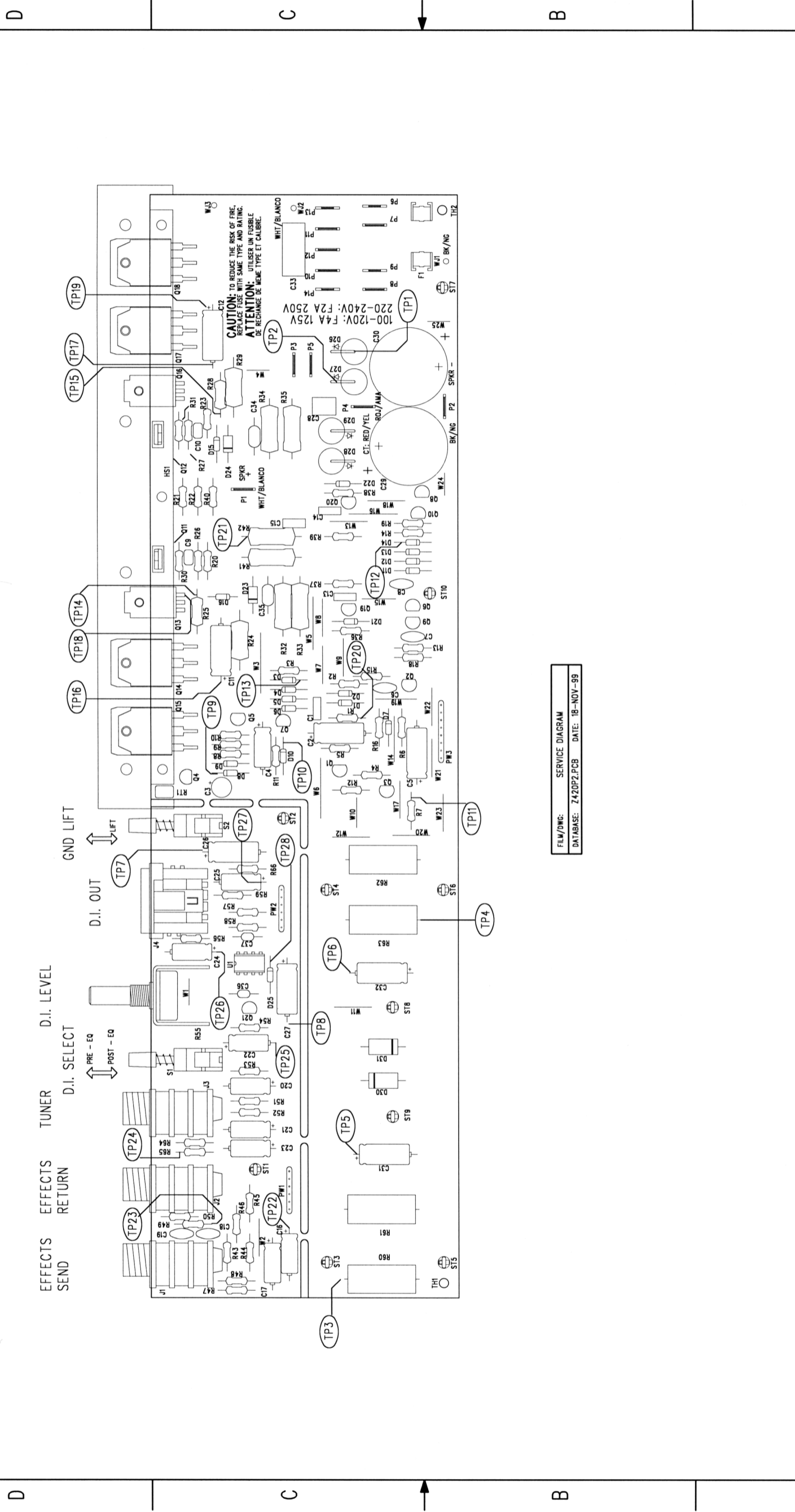
RELEASE DATE: 30-JUL-89
 SHEET 2 OF 2

2. P1, P2 AND P3 CONNECT TO BROWN CABLES FROM POWER AMP PCB ASSY (PWL, PWP, PWS RESPECTIVELY)
1. SEE SHEET 1 FOR TEST CONDITIONS AND TEST POINT VALUES.
- NOTES: (UNLESS OTHERWISE NOTED)

8 7 6 5 4 3 2 1

8 7 6 5 4 3 2 1

REVISIONS			
REV.	DESCRIPTION	DATE	APPROVED
A	PR420	30-JUL-99	S M M
B	EC 2363	18-NOV-99	S M M



FILM/DWG: SERVICE DIAGRAM
 DATABASE: Z420P2.PCB DATE: 18-NOV-99

THIS DOCUMENT CONTAINS INFORMATION OF A PROPRIETARY NATURE TO FENDER MUSICAL INSTRUMENTS AND IS SUBMITTED TO YOU IN CONFIDENCE AND SHALL NOT BE DISCLOSED OR TRANSMITTED TO OTHERS WITHOUT AUTHORIZATION FROM FENDER MUSICAL INSTRUMENTS.

CHECKED BY: *B. Desj*
 DATE: 22-NOV-99

APPROVED BY: *Alfred*
 DATE: 22 Nov 99

DRAWN: S M M ENGR: S M M
 DATABASE FILE: Z420P2.PCB

MUSICAL INSTRUMENTS
 2621 Research Drive
 Corona, CA 91720 USA

TITLE: SERVICE DIAGRAM, COMBINED (PCB assy)
 BASSMAN 100
 POWER AMP

SIZE: C DRAWING NUMBER: 0055774000
 REV. B

RELEASE DATE: 30-JUL-99 SHEET 2 OF 2

2. RIBBON CABLES AT PW1, PW2, PW3 CONNECT TO PREAMP PCB ASSY (P1, P2, P3 RESPECTIVELY)
1. SEE SHEET 1 FOR PRIMARY WIRING, TEST CONDITIONS, AND TEST POINT VALUES
- NOTES: (UNLESS OTHERWISE NOTED)

8 7 6 5 4 3 2 1